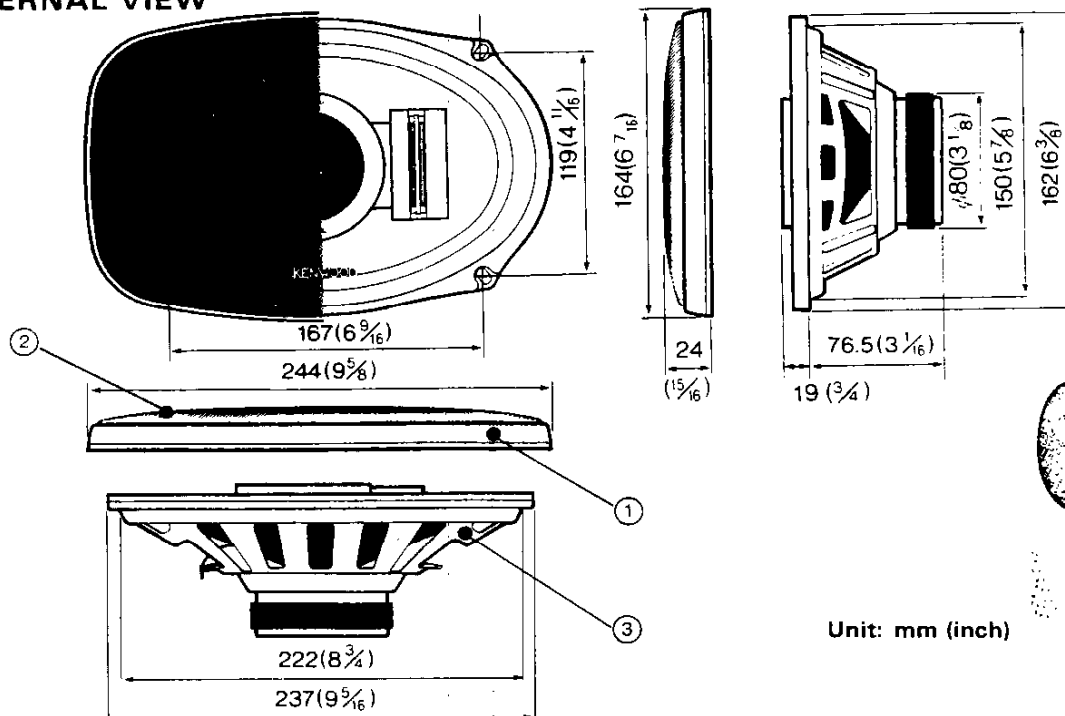


KFC-6981

SERVICE MANUAL

© 1988-1 PRINTED IN JAPAN
B51-3410-10 (G) 1107

EXTERNAL VIEW



Q.C.
COPY

Unit: mm (inch)

PARTS INCLUDED

- (M4-70mm) × 8
- × 8
- M4 × 8
- φ4 × 8
- M4 × 8
- × 2
- (φ4-40) × 8
- 5m (16.4ft) × 2

SPECIFICATIONS

- Speakers
- Woofer..... 6 × 9in poly cone type, 17.7oz magnet
 - Mid-Range..... 2-1/2in cone type, 2.2oz magnet
 - Tweeter..... piezo type
 - Super Tweeter..... piezo type
 - Peak input power..... 150 Watts
 - Sensitivity..... 92dB/W at 1m
 - Impedance..... 4 ohms
 - Weight per speaker with grille... 2.18kg (4.8lb)/pc

We follow a policy of advancements in development. For this reason specifications may be changed without notice.

PARTS LIST

★ New parts
Parts without **Parts No.** are not supplied.
Les articles non mentionnes dans le **Parts No.** ne sont pas fournis.
Teile ohne **Parts No.** werden nicht geliefert.

Ref No.	New Parts	Parts No.	Description
①	★	B06-0273-08	FRAME
		E30-1457-08	SPEAKER CORD
②	★	F09-0841-08	SCREEN
		N99-0218-08	SCREW SET
③	★	T15-0104-08	SPEAKER